

### DESCRIPTION

Remote External Dimmer Switch - Rotary, RJ14 Connector, 0-10V continuous dimming

### Features & Benefits:

- 0-10V Dimming

### Intended Applications:

- Commercial grow facility and home growers

### APPLICATIONS

Indoor commercial cannabis cultivation



### Performance Summary

Number of Channels	1
Signal Type	0-10V
Max Connectability	3 Drivers/Ballasts
Warranty	1-year

### Convenient Mounting

Surface mount & cable tie mount options.

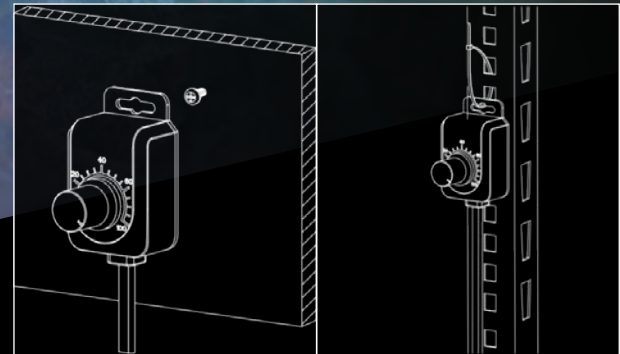
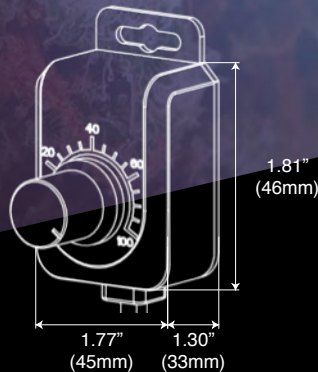
Hang the dimmer onto a surface like a wall, grow rack, or even your light fixture.

You can also use cable tie (not provided) to affix it onto any available surface.

### Product Benefits

- This affordable lighting dimmer is a very cost effective and efficient entry-level offering for home grower & commercial facility.
- Remote control allows hassle free play. No more climbing up and down; no more stepping in and out of the grow tent.

### Product Dimensions



### Daisy Chain Feature

